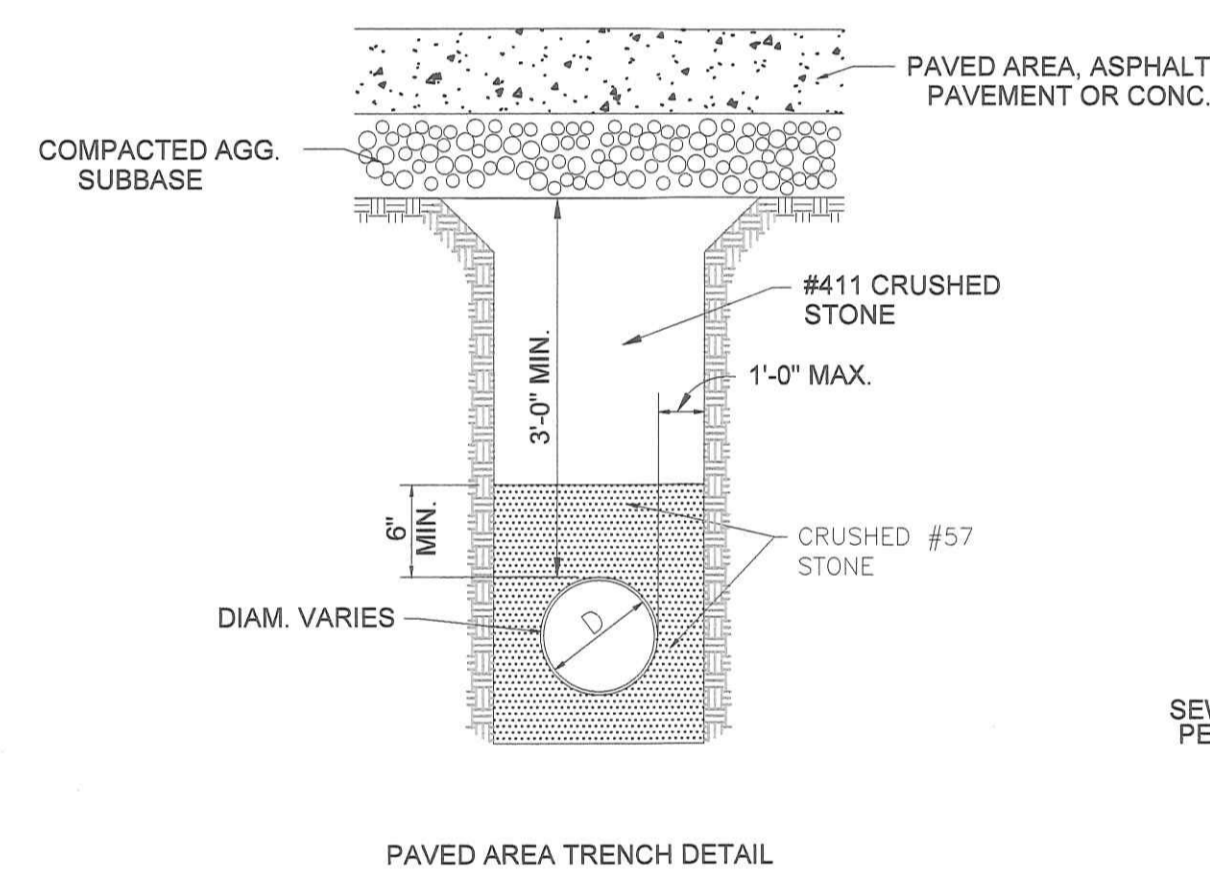
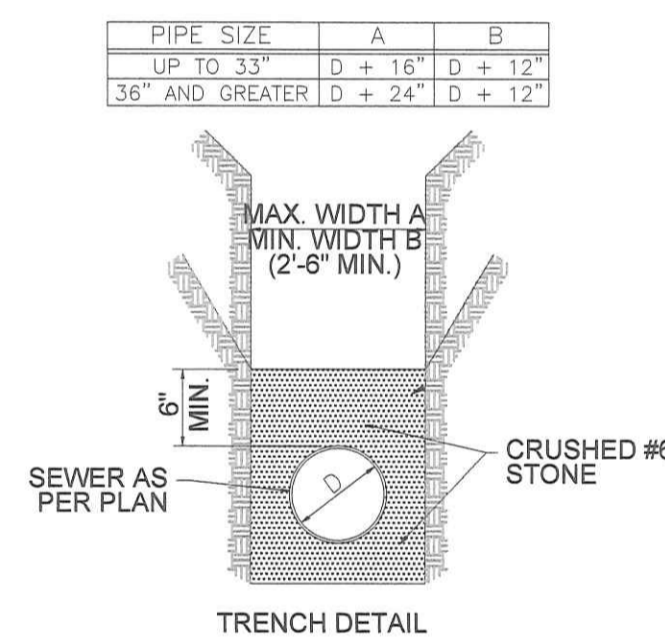


NOTES
 CATCH BASIN: EJVW 5110, TYPE M3 GRATE & CASTING, OR APPROVED EQUAL.
 GRATE AND FRAME SHALL MEET THE REQUIREMENTS OF ODOT 604. THE DESIGN SHALL BE ESSENTIALLY THE SAME AND EQUALLY AS STRONG AS THE ONE SHOWN HEREON.
 BOTTOM SLAB MAY BE PRECAST SEPARATELY AND THE OUTLET PIPE PLACED ON TOP OF IT WITH THE BOTTOM SHAPED TO DRAIN.
 CONTRACTOR MAY USE PRECAST CATCH BASINS WITH KNOCK-OUT PANELS.

CATCH BASIN 2-2-B

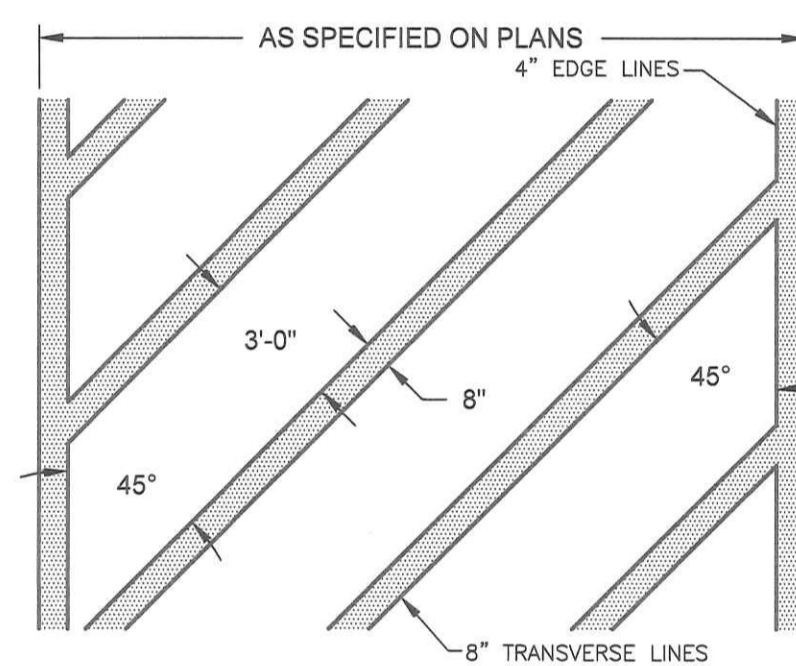


TRENCH DETAILS



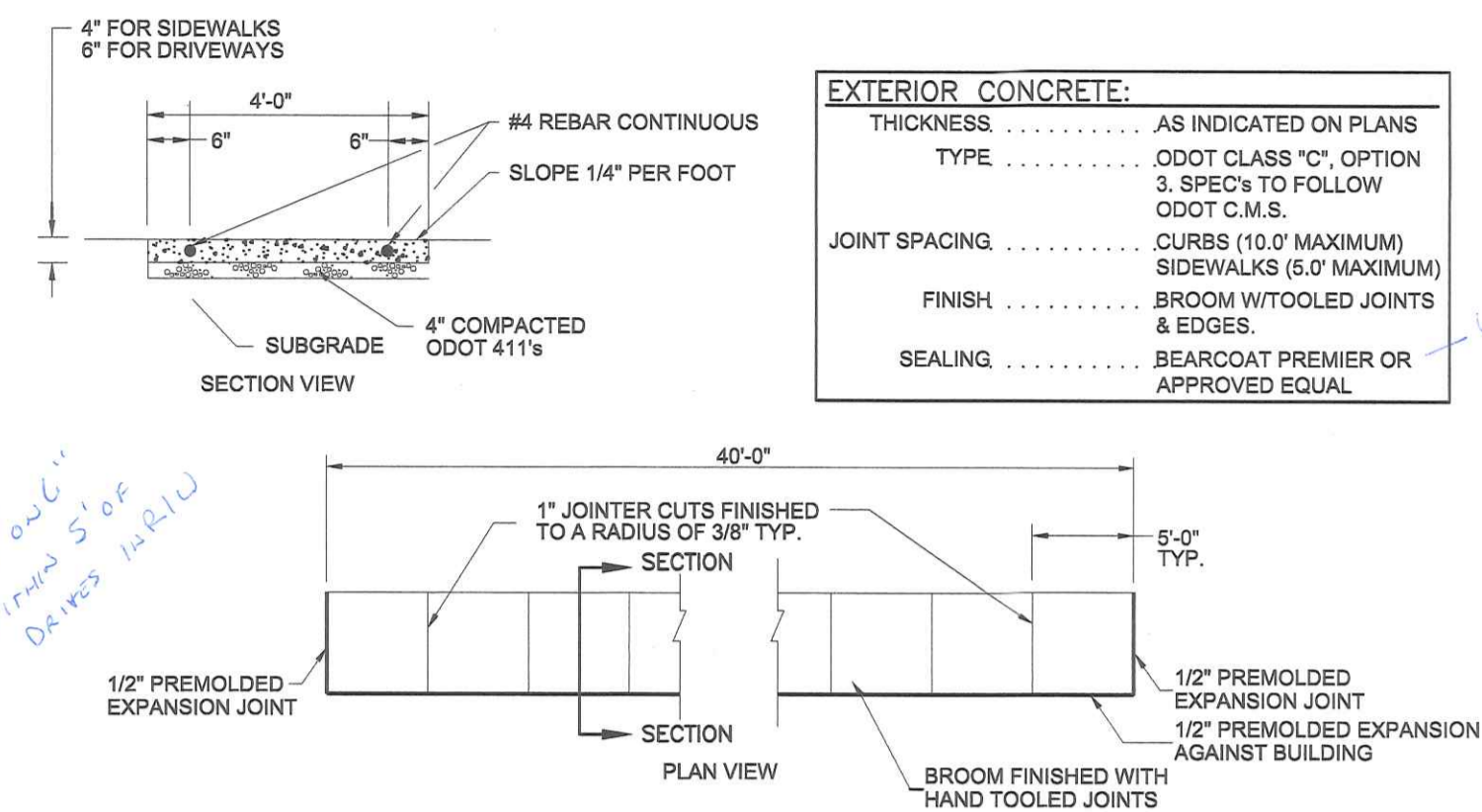
TRENCH DETAIL

PIPE SIZE	A	B
UP TO 33"	D + 16"	D + 12"
36" AND GREATER	D + 24"	D + 12"



PAVEMENT MARKING DETAILS

PAVEMENT MARKINGS SHALL CONFORM TO ODOT CMS ITEM NUMBER 642 UNLESS OTHERWISE SPECIFIED IN PLANS OR PROJECT SPECIFICATIONS.



2" outside of drives include

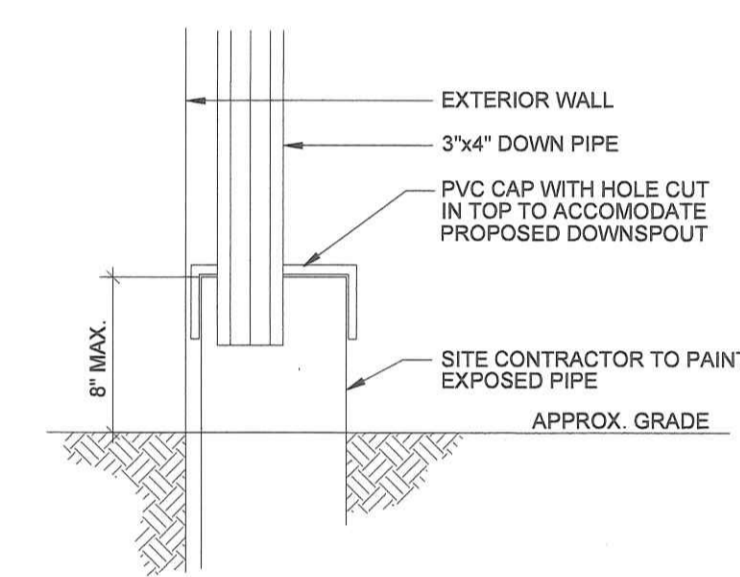
EXTERIOR CONCRETE:

THICKNESS	AS INDICATED ON PLANS
TYPE	ODOT CLASS 'C', OPTION 3, SPEC'S TO FOLLOW ODOT C.M.S.
JOINT SPACING	CURBS (10.0' MAXIMUM) SIDEWALKS (5.0' MAXIMUM) ODOT C.M.S.
FINISH	BROOM W/TOOLED JOINTS & EDGES.
SEALING	BEARCOAT PREMIER OR APPROVED EQUAL

White? - R/L

CONCRETE WALK DETAIL

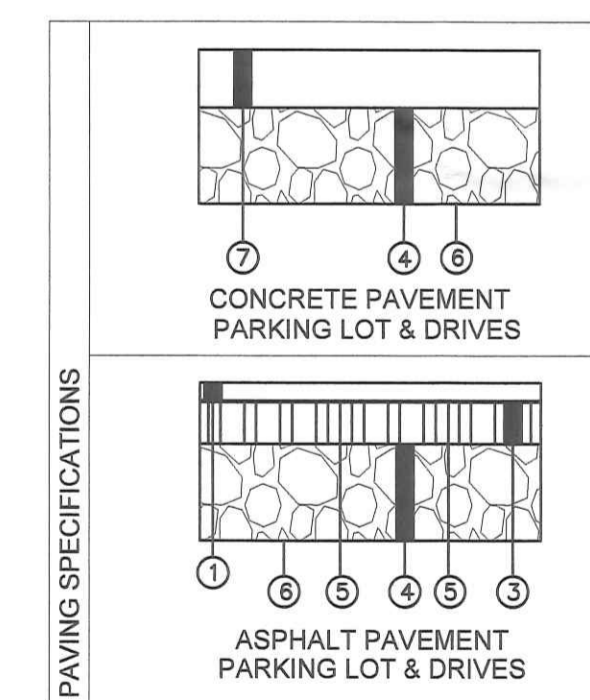
CONCRETE WALKS, DRIVES AND CURB RAMPS SHALL BE REINFORCED AND DOWELED INTO THE PROPOSED CURB.
 TO CLARIFY, THIS APPLIES TO SIDEWALKS, DRIVE APRONS AND CURB RAMPS. THE REINFORCING SHALL BE A #4 REBAR MAT IN THE CENTER OF THE CAST-IN-PLACE SLAB AT MAXIMUM 4 FOOT ON CENTER AND ALSO THE DOWELS SHALL BE AT MAXIMUM 4 FOOT SPACING. THE DOWELS ALSO SHALL BE #4 REBAR AND CAN BE DRILLED INTO THE CURB, SIDEWALK, DRIVE, ETC.



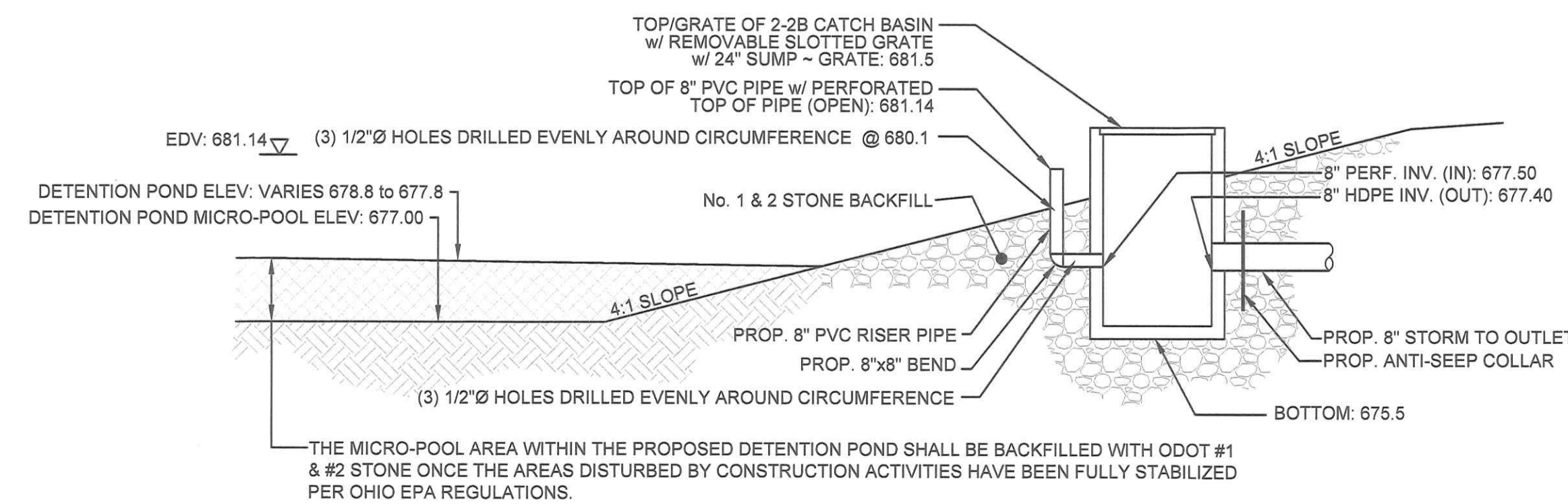
NOTE: COORDINATE DOWN PIPE LOCATIONS WITH G.C.

STORM CONDUCTOR DETAIL

- 1.50" - ASPHALT SURFACE COURSE ODOT 448, TYPE 1, PG 64-22
- 6" - 4000psi ODOT CLASS C REINFORCED CONCRETE (#4 REBAR 4.0' ON CENTER, EACH WAY)
- 3.5" ODOT 301 ASPHALT BASE
- GRANULAR BASE, 8" ODOT 304's
- TACK COAT, ODOT 407 (0.040 GAL/SY)
- SUBGRADE COMPACTION & GEOMESH (MIRAFI 500X OR APPROVED EQUAL)



PAVEMENT SPECIFICATIONS



DETENTION POND OUTLET STRUCTURE DETAIL

Bockrath & Associates
 Engineering and Surveying, LLC
 115 South Fair Avenue, Suite A, Ottawa, OH 45875
 Phone: 419.523.5789



SITE DETAILS & NOTES
 TRAILWINDS II APARTMENTS
 760 & 780 TRAIL DRIVE
 NAPOLEON, OHIO 43545

REVISED	
GAB	6-22-18
REVIEWED BY:	GAB 02.23.18
DESIGNED BY:	CAH 02.20.18
JOB NUMBER:	16-220

C300

760 Trail Dr.